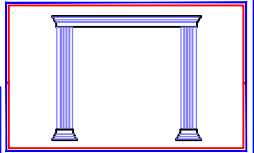


VERIFY ALL DIMENSIONS. IF NO CHANGE IS MADE, STONE WILL BE MADE AS SHOWN ON THIS DRAWING

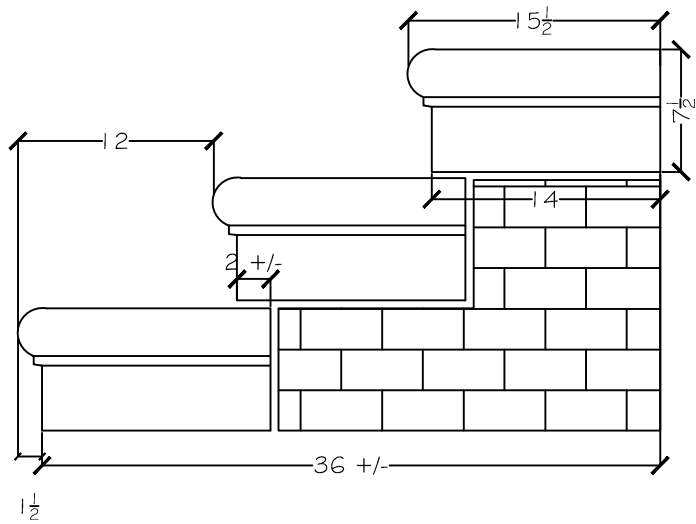


S&B
Cast Stone Co., Inc.

909 E51 ST
BROOKLYN, NY 11203
PH. 718-629-0975 FAX 718-629-1031
WEB: WWW.UTICAST.COM
EMAIL: SALES@UTICAST.COM

DATE

SUBMITTAL #	SUBMITTAL DATE



REVERSE STEP DETAIL

CONTRACTOR:

SCALE
NTS

DRAWING DESCRIPTION
STEPS
COLOR

DRAWN BY
FJR
TYP JOINT DIMENSION

CONTACT

LEAD TIME

SHEET
SK1