

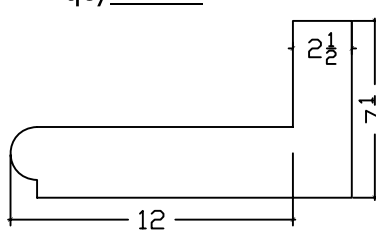
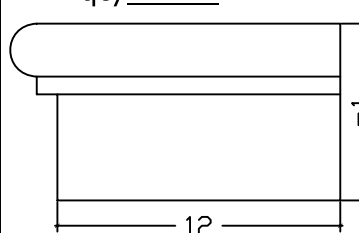
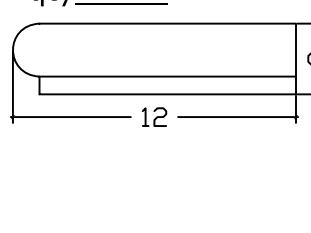
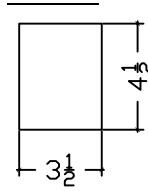
Vendor: _____
 Salesman: _____
 Order # _____
 Phone No. _____

1.) Type of Step

A. Color:

Grey Cement White Grey Granite White Granite Special : _____

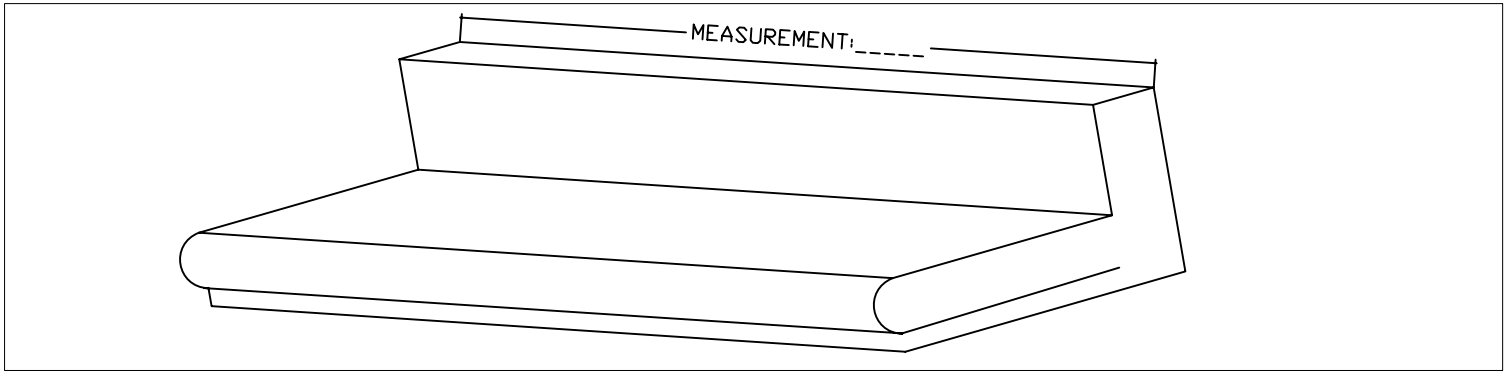
B. Type of Riser:

<input type="checkbox"/> Std Step w/Riser qty _____ 	<input type="checkbox"/> Reverse step qty _____ 	<input type="checkbox"/> No Riser (Top) qty _____ 	<input type="checkbox"/> Bottom Piece qty _____ 
--	---	--	---

2.) Measure your step:

A. Measure your riser from one end to the other:

(*-do not include bullnose if on sides)



3.) Look at your steps facing front:

Where is the bullnose?

Check all that apply: RIGHT LEFT FRONT

*** Please allow ___ to ___ weeks for delivery on all special step orders**
*** All special order steps require a 50% deposit**
*** All measurements are customer's responsibility**
*** All special orders are final. No returns... No exceptions...**

Customer: _____

Phone Number: _____

P.O. No. _____

Signature: _____